

| Model | | Mini Sorter for F9/F80/P201/OEM's V25/V30/V35/V36/F85/F90/F12/F13/F24 (European Version only) | | | | | Volt/Hz | Date of Modification | Serial Number | |
|--------------------------------|---------------|--|-------------------------------|--------|------------------------|----------------------|---|-----------------------------|----------------------|------|
| Modified Article | | Base Plate | | | | | | | | |
| Reason for Modification | | To improve reliability and durability | | | | | | | | |
| Draw No. | Old Parts No. | New Parts No. | Description | A.B.C. | Q'ty Used Old → New | Inter-change-ability | Part needed for replacement by new part | | Parts Catalog | |
| | | | | Rank | | | Part No. | Description | Index No. | Page |
| | 68031136 | A4231126 | Base Plate (Infotec, Nashua) | | 1 → 1 | O/O | | | 29 | 47 |
| | 68031131 | A4231105 | Base Plate (Ricoh) | | 1 → 1 | O/O | | | 29 | 47 |
| | | A4231144 | Base Roller | | 0 → 2 | | | | *60 | 47 |
| | | A4231143 | Base Shaft | | 0 → 2 | | | | *59 | 47 |
| | | 03140060W | Philips Pan Head Screw-M4 x 6 | | n → n+4 | | | | 102 | 47 |
| | | 07200040E | Retaining Ring-M4 | | n → n+2 | | | | 115 | 47 |
| | | | | | | | | | | |
| | | A4231145 | Receive Plate | | 0 → 1 | | | | *61 | 47 |
| | | | | | | | | | | |
| | 68031115 | A4231127 | Bin Guide | | 2 → 2 | O/O | | | 54 | 47 |
| | 68032311 | A4232311 | Guide Plate | | 1 → 1 | O/O | | | 26 | 47 |

Rank: A : Replace with new parts immediately. B : Replace with new parts at time of repair. C : Replace with new parts at time of overhaul.
 Interchangeability:
 (1) When old and new parts are not mutually interchangeable, use additional parts or an assembly part as indicated in "Parts needed for replacement by new part" to install the new part.
 (2) The mark to the left of the slash indicates whether the old part can be used in the new machine, and the mark to the right indicates whether the new part can be used in the old machine. x = Not interchangeable o = Interchangeable

DETAILS OF MODIFICATION

To improve reliability and durability, the production machines of the European versions have been modified as follows:

1. To add the receive plate in order to ensure that this sorter stands steadily when the sorter is undocked from the coier, and put on the floor. (Figure 1)
2. To add the base roller and base shaft in order to reduce the friction between the base plate and lowest bin. (Figure 2)
3. To change the material of the bin guide and guide plate.

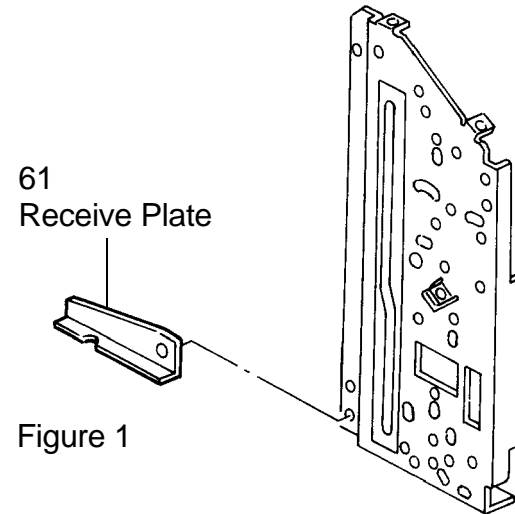


Figure 1

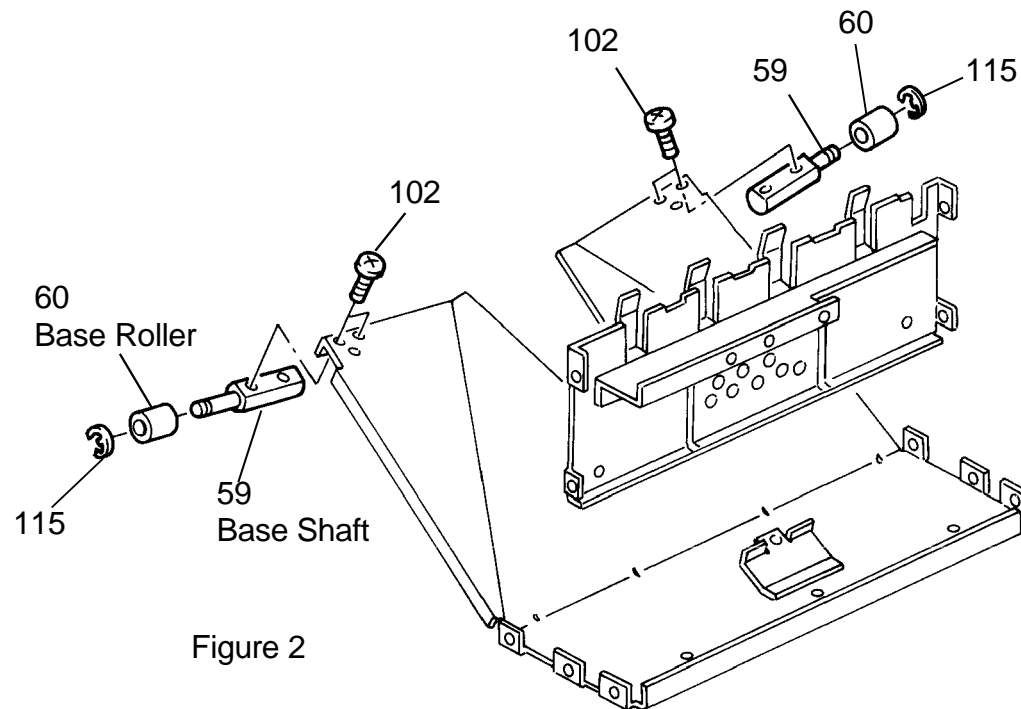


Figure 2

T. Ito, Manager
Copier Technical Support

| MODEL NAME | V/Hz | DESTINATION | JAPAN PRODUCTION | | REI PRODUCTION | |
|--------------------|------------|-----------------|------------------|--------------------|----------------|---------------|
| | | | CODE | SERIAL NUMBER | CODE | SERIAL NUMBER |
| P.B. D220 | 115/60 | USA, Canada | 6803-11 | | 6803-07 | |
| Savin Sorter 7020 | 115/60 | USA, Canada | 6803-15 | | 6803-08 | |
| Nashua S512 | 115/60 | S. America etc. | 6803-16 | | | |
| Ricoh CS2050 | 115/60 | USA, Canada | 6803-17 | | 6803-06 | |
| Nashua S512 | 220,240/50 | Europe etc | 6803-25 | Service Parts Only | 6803-45 | 7214600001 |
| Kalle Sorter 9032Z | 220,240/50 | Europe | 6803-26 | Service Parts Only | 6803-46 | 324461XXXX |
| Ricoh CS2050 | 220,240/50 | Europe etc. | 6803-27 | Service Parts Only | 6803-47 | 931460XXXX |

| | | | | |
|--------------------------------|---|----------------|-----------------------------|----------------------|
| Model | Mini Sorter for F9/F80/P201/OEM's V25/V30/V35/V36/F85/F90/F12/F13/F24 (Ricoh and Nashua European version only) | Volt/Hz | Date of Modification | Serial Number |
| Modified Article | Front and Rear Cover | | | |
| Reason for Modification | Due to parts standardization | | | |
| | | | | |
| | | | | |

Due to parts standardization, the following parts have been changed. The interchangeability is O/O.

| Page | Index | Old P/N | New P/N | Description |
|------|-------|------------|------------|--------------------------------|
| 47 | 50 | # 68036111 | # A4146113 | Front Cover (Ricoh and Nashua) |
| 47 | 14 | # 68036211 | # A4146213 | Rear Cover (Ricoh and Nashua) |

T. Ito, Manager
Copier Technical Support

| MODEL NAME | V/Hz | DESTINATION | JAPAN PRODUCTION | | REI PRODUCTION | |
|-----------------------------------|------------|-----------------|------------------|--------------------|----------------|---------------|
| | | | CODE | SERIAL NUMBER | CODE | SERIAL NUMBER |
| P.B. D220 | 115/60 | USA, Canada | 6803-11 | | 6803-07 | |
| Savin Sorter 7020 | 115/60 | USA, Canada | 6803-15 | | 6803-08 | |
| Nashua S512 | 115/60 | S. America etc. | 6803-16 | | | |
| Ricoh CS2050 | 115/60 | USA, Canada | 6803-17 | | 6803-06 | |
| Nashua S512 | 220,240/50 | Europe etc | 6803-25 | Service Parts Only | 6803-45 | |
| Kalle Sorter 9032Z | 220,240/50 | Europe | 6803-26 | Service Parts Only | 6803-46 | |
| Ricoh CS2050 | 220,240/50 | Europe etc. | 6803-27 | Service Parts Only | 6803-47 | |

| | | | | |
|--------------------------------|---|----------------|-----------------------------|----------------------|
| Model | Mini Sorter for F9/F80/P201/OEM's V25/V30/V35/V36/F85/F90/F12/F13/F24 | Volt/Hz | Date of Modification | Serial Number |
| Modified Article | Bin Motor - 220V/240V (European Version Only) | | | |
| Reason for Modification | Due to parts standardization with 115V version | | | |
| | | | | |
| | | | | |

Due to parts standardization with 115V version, the bin motor has been changed. The interchangeability is O/O.

| Old P/N | Old Description | New P/N | New Description | Page | Index |
|----------|-----------------------|----------|----------------------|------|-------|
| 68035420 | Bin Motor - 220V/240V | 68035400 | Bin Motor - AC14/17W | 47 | 46 |

T. Ito, Manager
Copier Technical Support

| MODEL NAME | V/Hz | DESTINATION | JAPAN PRODUCTION | | REI PRODUCTION | |
|----------------------------------|------------|-----------------|------------------|--------------------|----------------|---------------|
| | | | CODE | SERIAL NUMBER | CODE | SERIAL NUMBER |
| P.B. D220 | 115/60 | USA, Canada | 6803-11 | | 6803-07 | |
| Savin Sorter 7020 | 115/60 | USA, Canada | 6803-15 | | 6803-08 | |
| Nashua S512 | 115/60 | S. America etc. | 6803-16 | | | |
| Ricoh CS2050 | 115/60 | USA, Canada | 6803-17 | | 6803-06 | |
| Nashua S512 | 220,240/50 | Europe etc | 6803-25 | Service Parts Only | 6803-45 | |
| Kalle Sorter 9032Z | 220,240/50 | Europe | 6803-26 | Service Parts Only | 6803-46 | |
| Ricoh CS2050 | 220,240/50 | Europe etc. | 6803-27 | Service Parts Only | 6803-47 | |

| Model | | Mini Sorter for F9/F80/P201 OEM's V25/V30/V35/V36/F85/F90/F12/F13/F24 | | | | | Volt/Hz | Date of Modification | Serial Number | |
|--------------------------------|---------------|---|------------------------------|--------|----------------------|---------------------|---|-----------------------------|----------------------|------|
| Modified Article | | Guide stopper plate | | | | | | | | |
| Reason for Modification | | Prevention of the upper guide plate dislodgment | | | | | | | | |
| | | | | | | | | | | |
| | | | | | | | | | | |
| Draw No. | Old Parts No. | New Parts No. | Description | A.B.C. | Q'ty Used Old New | Inter-changeability | Part needed for replacement by new part | | Parts Catalog | |
| | | | | Rank | | | Part No. | Description | Index No. | Page |
| | | A4142311 | Spring Plate - Guide Stopper | | 0 2 | | | | * 65 | 47 |
| | | | | | | | | | * New Index | |
| | | | | | | | | | | |
| | | | | | | | | | | |
| | | | | | | | | | | |
| | | | | | | | | | | |
| | | | | | | | | | | |
| | | | | | | | | | | |
| | | | | | | | | | | |
| | | | | | | | | | | |
| | | | | | | | | | | |
| | | | | | | | | | | |
| | | | | | | | | | | |
| | | | | | | | | | | |
| | | | | | | | | | | |
| | | | | | | | | | | |
| | | | | | | | | | | |
| | | | | | | | | | | |
| | | | | | | | | | | |
| | | | | | | | | | | |
| | | | | | | | | | | |

Rank: A : Replace with new parts immediately. B : Replace with new parts at time of repair. C : Replace with new parts at time of overhaul.

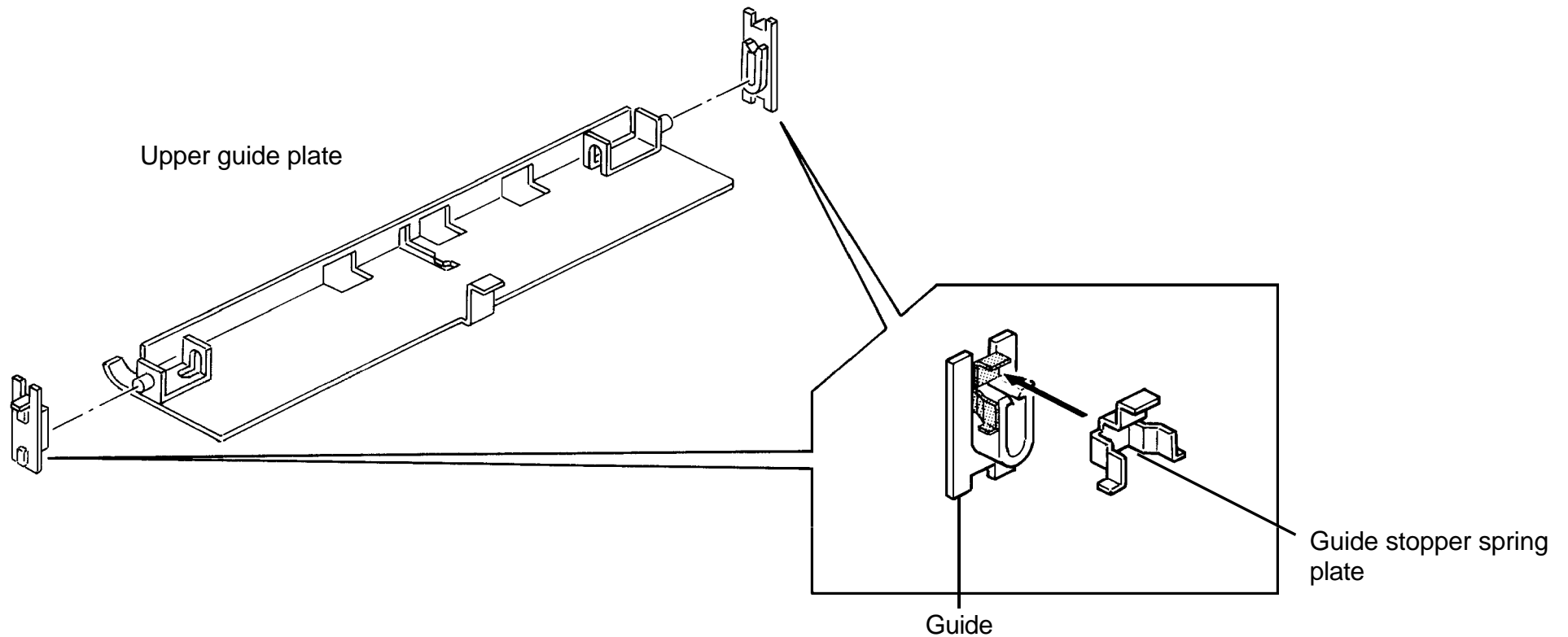
Interchangeability:

(1) When old and new parts are not mutually interchangeable, use additional parts or an assembly part as indicated in "Parts needed for replacement by new part" to install the new part.

(2) The mark to the left of the slash indicates whether the old part can be used in the new machine, and the mark to the right indicates whether the new part can be used in the old machine. x = Not interchangeable o = Interchangeable

DETAILS OF MODIFICATION

The upper guide plate may be dislodged from the guide if handled roughly when removing jammed paper from the sorter. To hold the upper guide plate, two guide stopper spring plates (front and rear) have been added to the production line.



T. Ito, Manager
Copier Technical Support

| MODEL NAME | V/Hz | DESTINATION | JAPAN PRODUCTION | | REI PRODUCTION | |
|-----------------------|------------|-----------------|------------------|--------------------|----------------|---------------|
| | | | CODE | SERIAL NUMBER | CODE | SERIAL NUMBER |
| P.B. D220 | 115/60 | USA, Canada | 6803-11 | Service Parts Only | 6803-07 | |
| Savin Sorter 7020 | 115/60 | USA, Canada | 6803-15 | Service Parts Only | 6803-08 | |
| Nashua S512 | 115/60 | S. America etc. | 6803-16 | Service Parts Only | | |
| Ricoh CS2050 | 115/60 | USA, Canada | 6803-17 | Service Parts Only | 6803-06 | |
| Nashua S512 | 220,240/50 | Europe etc | 6803-25 | Service Parts Only | 6803-95 | |
| Kalle Sorter 9032Z | 220,240/50 | Europe | 6803-26 | Service Parts Only | 6803-46 | |
| Ricoh CS2050 | 220,240/50 | Europe etc. | 6803-27 | Service Parts Only | 6803-47 | |